



VANTAGE

POST-MIX DISPENSER



FEATURES

Small footprint - Only 21.5"H (54.61 cm)

Options - Available in four and five valve models with or without integral cold carbonator

Sleek Look - Stainless lower wrap and sculptured hood

Smart - Drop-in refrigeration chassis

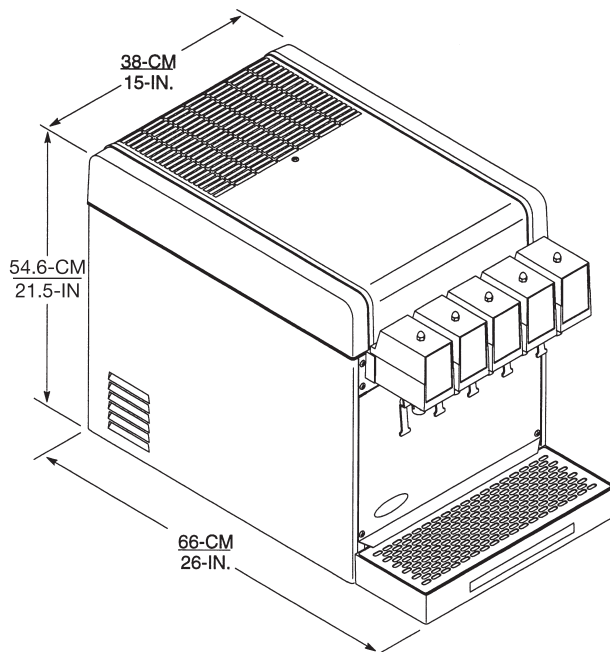
Compact - coil and valve assembly

Ease of Use - One piece lower housing

Compressor - 1/3 HP compressor

Engineering Advantage - Designed for high ambient use

Durable - Stainless steel cabinetry



PART NUMBER	DESCRIPTION	ELECTRICAL
561600166	Vantage 4 Flavor UF-1, Integral Carbonator	115 V / 60 Hz / 7.4 Amps
561600167	Vantage 5 Flavor UF-1, Integral Carbonator	
4923	4" Leg Kit	

TECHNICAL SPECIFICATIONS

COMPRESSOR 1/3 HP
CONDENSER FINISH Copper, aluminum
CUP CLEARANCE 9.75" (24cm)
INITIAL AVERAGE ICEBANK 14 lb (6.4 kg)
REFRIGERANT R-134a
INTEGRAL CARBONATOR
TANK RESERVE 56 oz (1.65 L)
ICE BANK CONTROL Electronic
CARBONATOR PUMP
FILL RATE 2 oz/sec (60 mL)
INLET FITTINGS Syrup: 0.25" barb
Water: 0.25" flare
CO₂: 0.25" flare
VALVES Standard Flow 1.5-3.0 oz.
VALVE TYPES UF-1

DRAW PERFORMANCE Number of drinks below
4.4°C (40°F):

Integral Carbonator:
24°C (75°F) ambient w/
draw rate of two 12 oz
drinks per minute = 132
& 32°C (90°F) ambient w/
draw rate of two 12 oz
drinks/min = 65

Remote Carbonator:
24°C (75°F) ambient w/
draw rate of two 12 oz
drinks per minute = 193
& 32°C (90°F) ambient w/
draw rate of two 12 oz
drinks/min = 71

SHIPPING WEIGHT 98 lb (44 kg)

AGENCY LISTINGS   

