

Venture

Dispensers



Features:

- Environmentally friendly (non-CFC) foam insulation standard on all housings and bases
- Environmentally safe R-134a refrigerant
- Roto-molded housing delivers impact resistant durability and improved insulation quality in even your most rugged dispensing environments
- Compact design minimizes counter space requirements while proven Cornelius post-mix technology maximizes performance
- Hood material resists reaction to ultraviolet light
- Reversibility of refrigeration deck and hood increases your airflow flexibility in space-confined locations
- Standard one-piece removable drip tray has built-in drain for cleaner operation and performance



Technical Specifications:

Compressor: 1/3 or 1/4 h.p.

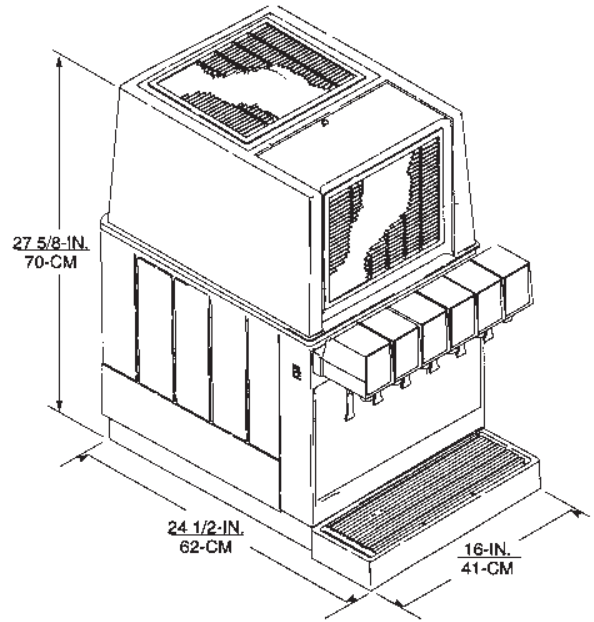
Initial Average Icebank Capacity: 70°F ambient 31 lbs.
(14 kgs.) 1/3 h.p. 26 lbs. (12 kgs.) 1/4 h.p.

Initial Average Pulldown Time: 70°F ambient 3 1/4 hrs. –
1/3 h.p. 5 3/4 hrs. – 1/4 h.p.

Electrical Requirements: 115V / 60Hz / 8.1A
Optional internal cold carbonator available

Shipping Weight: 106 lbs. (48 kgs.)

Agency Listings:



Part No.	Description
417355XXX0	Venture with five electric valves, 1/3 h.p.
417356XXX0	Venture with six electric valves, 1/3 h.p.
417405XXX0	Venture with five electric valves, integral carbonator, 1/4 h.p.
417406XXX0	Venture with six electric valves, integral carbonator, 1/4 h.p.



For more information or to place an order, contact your sales representative or authorized distributor.

In the US:

Phone: 1-800-238-3600

Fax: 1-800-535-4235

Outside the US:

Phone: 1-763-421-6120

Fax: 1-763-422-3297

IMI Cornelius Inc.

One Cornelius Place
Anoka, MN 55303-6234
USA