

## Drop-in and Freestanding Ice Chests



1522 & 2123  
Drop-In and Freestanding  
Ice Chests

### Standard Features

- 1522 Ice Storage Capacity: 60 lbs. (27.27 kgs)
- 2123 Ice Storage Capacity: 80 lbs. (36.36 kgs)
- Freestanding versions are offered complete with leg stand within one box
- All ice chests include two-piece stainless steel sliding lid
- Added confidence in drain hygiene. Six feet of 3/4" (1.9 cm) Accuflex Sani-Clean AM drain tubing made with EPA registered antimicrobial agent included with all models.
- Certified by NSF



## Specifications

	<b>Model 1522 Freestanding or Drop-in Chest</b>	<b>Model 2123 Freestanding or Drop-in Chest</b>
<b>Ice Storage Capacity</b>	60 lbs. / 27.20 kgs	80 lbs. / 36.28 kgs
<b>Drain</b>	Six feet of 3/4" (1.9 cm) Accuflex Sani-Clean AM drain tubing with clamp provided.	Six feet of 3/4" (1.9 cm) Accuflex Sani-Clean AM drain tubing with clamp provided.
<b>Approximate Shipping Weights</b>	Drop-in with cold plate: 80 lbs. (36.29 kgs) Drop-in without cold plate: 42.5 lbs. (19.3 kgs) Freestanding with cold plate w/leg sets: 89 lbs. (40.37 kgs) Freestanding without cold plate w/leg sets: 52.5 lbs. (23.8 kgs)	Drop-in with cold plate: 130 lbs. (58.97 kgs) Drop-in without cold plate: 53.6 lbs. (24.3 kgs) Freestanding with cold plate w/leg sets: 139 lbs. (63.05 kgs) Freestanding without cold plate w/leg sets: 62.6 lbs. (28.5 kgs)
<b>Countertop/Stand Weights</b>	Drop-in with cold plate: 70 lbs. (31.75 kgs) Drop-in without cold plate: 33 lbs. (15.0 kgs) Freestanding with cold plate w/leg sets: 83 lbs. (37.65 kgs) Freestanding without cold plate w/leg sets: 46 lbs. (20.9 kgs)	Drop-in with cold plate: 118 lbs. (53.52 kgs) Drop-in without cold plate: 45.9 lbs. (20.9 kgs) Freestanding with cold plate w/leg sets: 132 lbs. (59.87 kgs) Freestanding without cold plate w/leg sets: 60 lbs. (27.2 kgs)
<b>Cold Plate Fittings</b>	3/8" (.95 cm) barbed (all)	3/8" (.95 cm) barbed (all)

Model Number	Description	Model Number	Description
95-0100	1522 drop-in bin without cold plate	95-0200	2123 drop-in bin without cold plate
96-0100	1522 freestanding bin without cold plate	96-0200	2123 freestanding bin without cold plate
95-1100-8	1522 drop-in bin with cold plate (post-mix)	95-1200-9	2123 drop-in bin with cold plate (post-mix)
96-1100-8	1522 freestanding bin with cold plate (post-mix) and leg sets	96-1200-9	2123 freestanding bin with cold plate (post-mix) and leg sets
95-1101-8	1522 drop-in bin with cold plate (post-mix) with side-sliding lid	95-1201-9	2123 drop-in bin with cold plate (post-mix) with side-sliding lid

**Model 1522**

60 Lb. (27.20 kgs) Capacity

A 24.29" (61.70 cm)

B 17.25" (43.82 cm)

C 14.25" (36.20 cm)

D 22.00" (55.88 cm)

E 15.00" (38.10 cm)

**Model 2123**

80 Lb. (36.28 kgs) Capacity

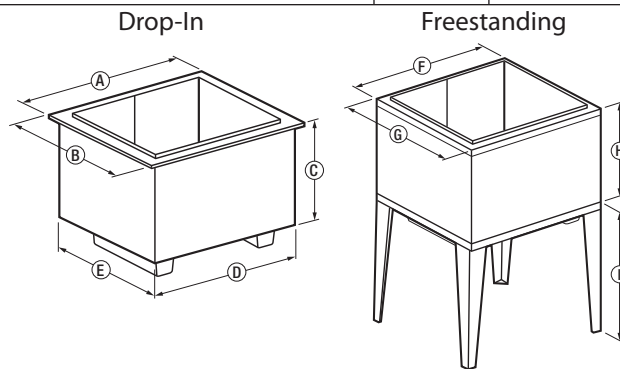
A 25.30" (64.26 cm)

B 23.30" (59.29 cm)

C 14.25" (36.20 cm)

D 23.00" (58.42 cm)

E 21.00" (53.34 cm)


**Model 1522**

60 Lb. (27.2 kgs) Capacity

F 22.180" (55.34 cm)

G 15.180" (38.56 cm)

H 14.25" (36.20 cm)

I 19.46" (49.43 cm)

**Model 2123**

80 Lb. (36.28 kgs) Capacity

F 23.00" (58.42 cm)

G 21.00" (53.34 cm)

H 14.25" (36.20 cm)

I 19.46" (49.43 cm)

Model Number	Description	Model Number	Description
5028043	1522 Standard Cover, Outer-Welded	5028047-21	2123 Standard Cover, Outer-Welded
5028042	1522 Standard Cover, Inner-Welded	5028048-21	2123 Standard Cover, Inner-Welded
5028878	1522 Side-Sliding Cover, Outer Long Welded	030000656	2123 Top Cover, Outer Long Weld
5028876	1522 Side-Sliding Cover, Inner Long Welded	030000657	2123 Top Cover, Inner Long Weld