

IBD 4500-44

LANCER®



Ice Beverage Dispenser

The IBD is Lancer's #1 selling self-serve dispenser. Hard plumbed syrup and water lines deliver excellent icy cold drinks. Versatile valve configurations and a portion control option allow for easy beverage cost monitoring. Topped with a compelling wraparound display, the IBD is a favorite of our customers.



IBD 4500 44" Ice Beverage Dispenser

- > Industry standard platforms in 44" width - 12 valve, lever or push button dispensing versatility
- > Illuminated interchangeable front graphics, 2 standard fluorescent 30 watt light bulbs
- > High capacity ice storage bin
- > High capacity drip tray to handle customer ice and beverage overflow helps avoid safety hazards and drink station cleanup from spills
- > Unique hex drive ice agitation and dispense drive system for trouble free operation and long service life
- > Stainless steel construction; exterior and interior
- > Fully insulated storage bin and drip tray controls condensation and helps avoid moisture related safety hazards
- > Plumbing access front and rear for installation flexibility
- > **Dispensing Solutions that *Pour More***

LANCER®

lancercorp.com

IBD 4500-44

SPECIFICATIONS

DIMENSIONS

Height: 35.375" [899 mm]
Width: 44" [1118 mm]
Depth: 30.5" [775 mm] including tray

SPACE REQUIRED

Width: 46" [1168 mm]
Depth: 31.5" [800.1 mm]
Height: Allow sufficient clearance for manually filling with ice or refer to ice maker recommendation for top clearance.

ELECTRICAL

115V/60Hz
230V/50Hz

WEIGHT

With Ice: 760 lbs [345 kg]
Shipping: 460 lbs [209 kg]

ICE

Capacity: 360 lbs [163 kg]
Dispensable: 300 lbs [136 kg]

FITTINGS

Soda Inlets: 3/8" [9.5mm] male barb
Syrup Inlets: 3/8" [9.5mm] male barb

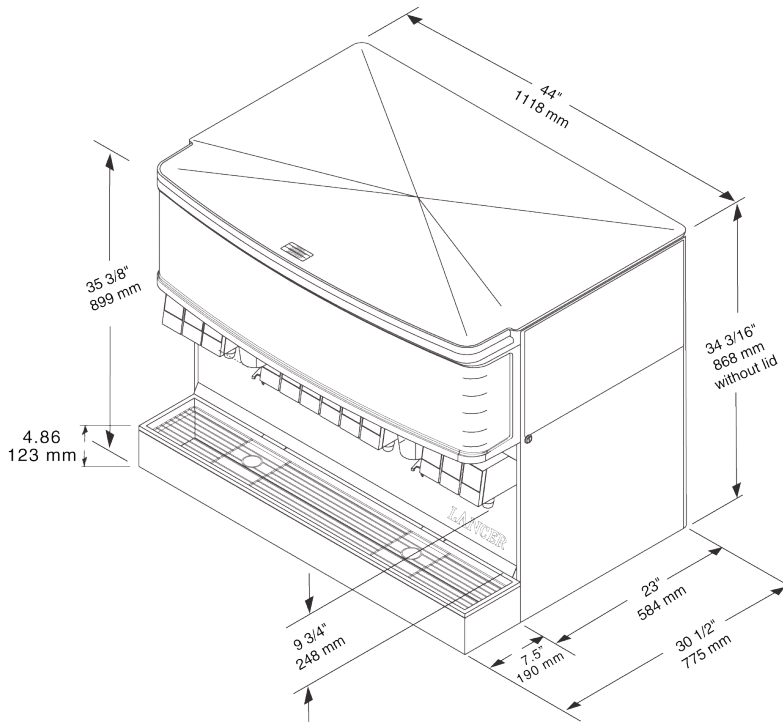
VALVES

LEV®
Other valves available upon request

FLEX MANIFOLD CONFIGURATION

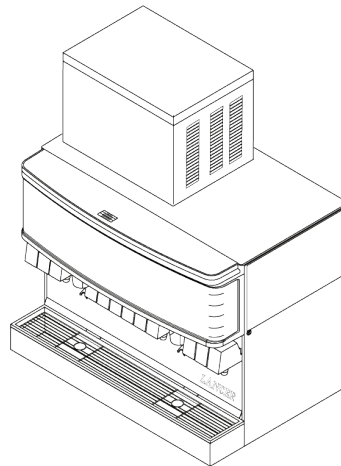
3-2-1-1-2-3

KEY LOCK SWITCH



ICE MAKER COMPATIBILITY

- > Accepts 30" and 42" wide ice makers (adapters may be required)
- > Manual front load when ice maker not installed
- > Variable automatic agitation timer



Customer Service:

Should you require more information about our products, please do not hesitate to contact our customer service desk at custserv@lancercorp.com.

Warranty:

For warranty specifics by product, contact your Lancer Sales Representative. Equipment design and/or specifications are subject to change without notice.

Lancer Corp. 6655 Lancer Boulevard · San Antonio, TX 78219

210-310-7000 · 1-800-729-1500 · Fax: 210-310-7250

Pour More

LANCER



lancercorp.com