

# LANCER®

## LEV® VALVE 3.0



Push Button



Portion Control



Crew-Serve



Sure-Fill®



Self-Serve

The LEV® is built with the highest quality materials and proven technology to provide our customers with consistent drink quality and reliability.

- Coca-Cola's valve of choice
- Over 6 million valves have been built since 1987
- Consistent "Best in Class" performance
- Lowest "Life Cost" of operation available
- Simple design gives high reliability
- Widest range of ratio control (2:1 - 10:1)



# LANCER®

## LEV® Valve 3.0



Bare Valve



Diffuser



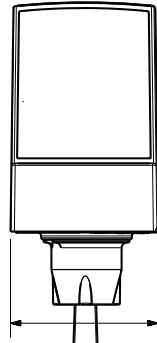
Nozzle



Syrup Separator Nozzle



Front Water Lever



2.5  
(64 mm)

CREW SERVE

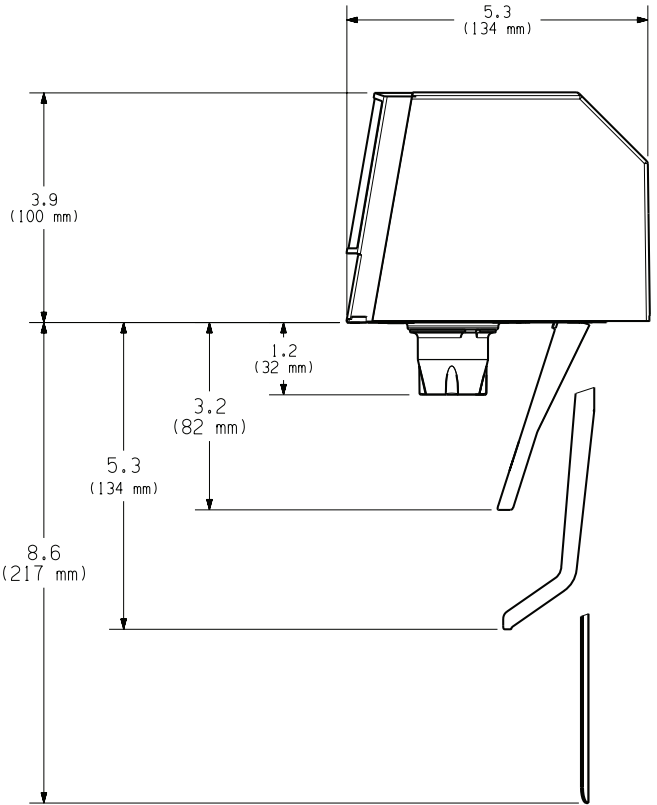


SELF SERVE



SUREFILL

### SPECIFICATIONS



#### PRESSURE REQUIREMENTS (FLOWING PRESSURE)

Water: 40 - 110 psig (2.8 - 7.7 bar)  
 Syrup (Sugar): 20 - 70 psig (1.4 - 4.9 bar)  
 Syrup (Diet/Light): 10 - 70 psig (0.7 - 4.9 bar)

#### DRINK FLOW RATES

1.5 oz/s - 3.0 o/s (44.4 ml/s - 88.8 ml/s)

#### RATIO ADJUSTMENT RANGE

2.0 - 10.0 Water/Syrup by Volume  
*(dependent on finished drink flow rate)*

#### ELECTRICAL REQUIREMENTS

24 VAC, 50/60 Hz

#### MOUNTING

Uses LEV® Mounting Block -  
 LEV® mounting block has the same mounting  
 screw hole pattern as the following:  
 Dole SEV  
 Dole FFV  
 Cornelius UF1, SF1  
 McCann Turbo Flo Jr.

**Warranty:** For warranty specifics by product, contact your Lancer Sales Representatives.

Equipment design and/or specifications may change without notice.

CORPORATE OFFICE 6655 Lancer Blvd • San Antonio, TX 78219  
 210-310-7000 • 1-800-729-1500 • FAX 210-310-7250 • www.lancercorp.com

"Lancer" is the registered trademark of Lancer Corporation © 2011 Lancer, all rights reserved.

LEVValve-3.0\_SS 06/11