



CEV-30 • CEV-40 Post-mix Countertop Electric Dispensers



Servend's post-mix countertop electric beverage dispensers offer maximum beverage cooling and customer-satisfying quality. The CEV series is designed for quick, easy installation with front and top access to all major components.

Standard Features

- Enhanced design aesthetics with modular assembly.
- Angled wrap-around illuminated merchandiser.
- Easy to service with quick access to air filter for cleaning and side by side placement of split carbonation and refrigeration decks. Easy slide on/off drain pan.
- Flex manifold adds carb/non-carb flexibility.
- New technology includes plug and play consolidated circuit board with protection for pump and compressor.
- 360° graphics enhance aesthetics and increase promotion of fountain beverages.



ISO 9001:2000
Quality System
Certified

2100 Future Drive
Sellersburg, IN 47172 USA

Tel: 812.246.7000
Fax: 812.246.7024

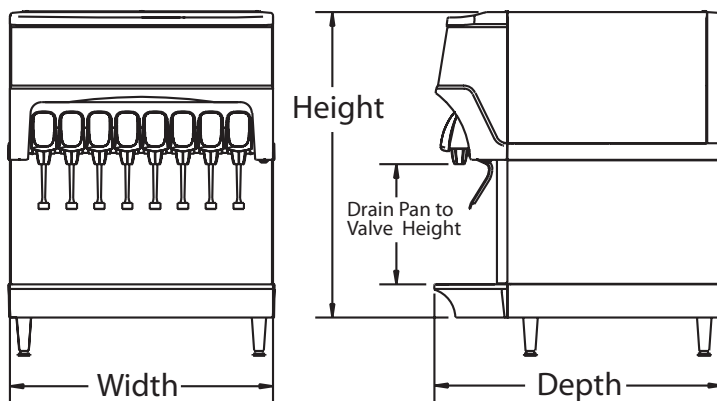
www.manitowocbeverage.com/us



CEV-30 • CEV-40 Post-mix Countertop Electric Dispensers

Specifications

| | CEV-30 with internal carbonation system | CEV-40 with internal carbonation system |
|-------------------------|---|--|
| Standard Features | Key switch, 3/8" (0.95 cm) barbed fittings, Flomatic 424 beverage valves, 4" (10.16 cm) adjustable legs, drain kits and integral cold carbonator. | |
| Dimensions | 20.50" W x 28.16" D x 29.88" H 52.07 W x 71.54 D x 75.90 H (cm) | 25.75" W x 28.16" D x 29.88" H 65.41 W x 71.54 D x 75.90 H (cm) |
| Cup Clearance | 11.77" (29.88 cm) height from grid to valve nozzle | |
| Exterior Body | Replaceable stainless steel panels | |
| Exterior Bonnet | Replaceable injection molded ABS plastic | |
| Water Tank | Double wall rotocast, foam-filled polyethylene | |
| Manifold | 6 valve: (1) fixed as carb only (5) carb or noncarb manifold | 8 valve: (3) fixed as carb only (5) carb or noncarb manifold |
| Valves | 6 Flomatic post-mix valves | 8 Flomatic post-mix valves |
| Electrical Requirements | 120V/60Hz/8.2FLA • 208-230V/60Hz/1 (export). Consult factory for options. | |
| Ice Bank Control | Consolidated circuit board with pump and compressor protection capabilities. | |
| Compressor | Tecumseh 1/3 HP | |
| Refrigerant | R-134a | |
| Refrigerant Deck | Independent lift out. | |
| Carbonation Deck | Independent lift out. | |
| Ice Bank Size (Nominal) | 30-32 lbs. / 13.61-14.51 kgs. | |
| Options | Flomatic valves are available in sanitary lever, push button, & portion control. Other valves available. Lighted merchandiser, external carbonator configuration available. | |
| Shipping Weights | 173 lbs. / 78.5 kgs. | 190 lbs. / 86.2 kgs. |



| | CEV30 | CEV40 |
|---------------------------|----------|----------|
| Width | 20.50" | 25.75" |
| | 52.07 cm | 65.41 cm |
| Depth | 28.16" | 28.16" |
| | 71.54 cm | 71.54 cm |
| Height | 29.88" | 29.88" |
| | 75.90 cm | 75.90 cm |
| Drain Pan to Valve Height | 11.77" | 11.77" |
| | 29.88 cm | 29.88 cm |