

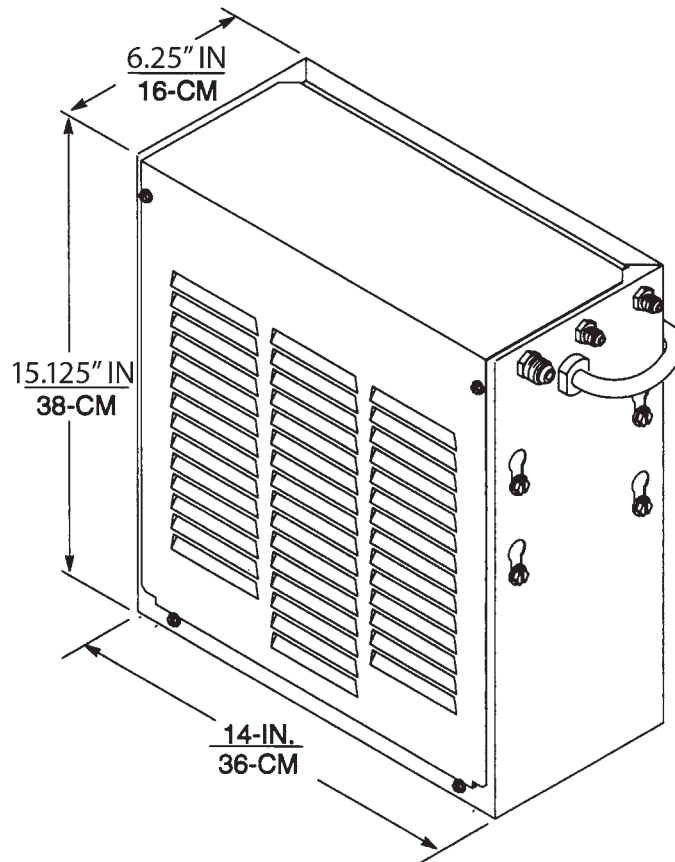


CARBONATOR BALANCE CONTROL



FEATURES:

- Full cabinet provides quiet operation, protection of balance control mechanism, and sanitation confidence, while allowing easy access for greater serviceability
- 1/3 HP motor and 100 GPH pump for enhanced performance
- Incorporates improved life single pole, single throw switches for simple fixed liquid differential. Liquid levels are factory set to ensure consistent operation and eliminate need for field adjustments
- Rubber feet provide stability and help ensure quiet operation
- Flexibility for standard floor or wall mount



PART NUMBER	DESCRIPTION
416411000	Complete Cornelius Carbonator, 115 V / 6.8 Amps
496411000	Complete Cornelius Carbonator, 220 V / 50 Hz, 230 V / 60 Hz
1621	Complete Cornelius Carbonator with vent-to-atmosphere check valve

TECHNICAL SPECIFICATIONS:

SHIPPING WEIGHT 30 lb (14 kg)
 CARBONATOR MOTOR 1/3 HP
 CARBONATOR PUMP 100 GPH
 OPERATING PRESSURE 125 psi maximum

INLET CONNECTIONS CO₂: 0.25" (0.64 cm)
 male flare
 Water: 0.375" (0.95 cm)
 male flare/
 0.25" (0.64 cm) male flare
 on carbonated water outlet

AGENCY LISTINGS    

