



## CARBONATOR

LOW PROFILE LARGE RESERVE



## FEATURES

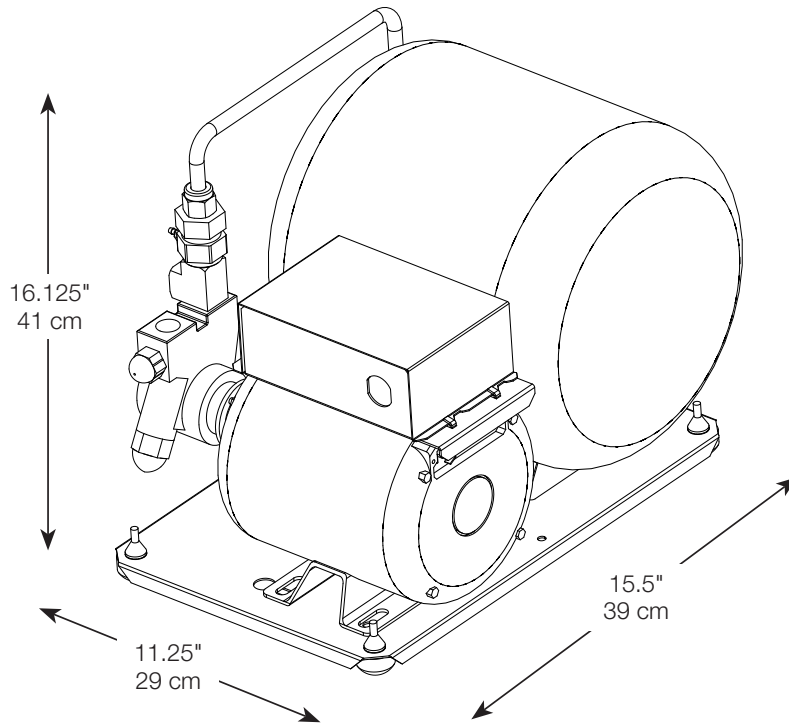
**Large reserve** - 2.5 gallon carbonated water reserve tank

**Low profile** - Low voltage, solid state, liquid level control

**Intelligent** - Check valve protects against water entering CO<sub>2</sub> supply system and double ball check protects against carbonated water backing up into water supply

**Durable** - Thermal protector on pump minimizes pump burn out due to lack of water

**Quiet** - Rubber feet for quiet operation



PART NUMBER	DESCRIPTION
416424000	Low Profile Large Reserve Carbonator, 115 V / 50 Hz, 60 Hz with ASSE 1022 vent to atmosphere check valve
496424000	Low Profile Large Reserve Carbonator 220 / 50 Hz, 230 V / 60 Hz without vent to atmosphere check valve

### TECHNICAL SPECIFICATIONS:

DIMENSIONS . . . . . 16.125"H (41 cm) x  
 15.5"W (39 cm) x  
 11.25"D (29 cm)

SHIPPING WEIGHT . . . . . 30 lb (14 kg)

CARBONATOR MOTOR . . . . . 1/3 HP

CARBONATOR PUMP . . . . . 100 GPH

OPERATING PRESSURE . . . . . 125 psi maximum

INLET CONNECTIONS . . . . . 0.375"

SODA WATER OUTLET  
 CONNECTIONS (2) . . . . . 0.375" (9.525 mm)

ELECTRICAL REQUIREMENTS . . 115 V / 50 Hz,  
 60 Hz / 7.2 Amps  
 220V / 50 Hz  
 230 V / 60 Hz / 3.6 Amps

AGENCY LISTINGS . . . . .   

