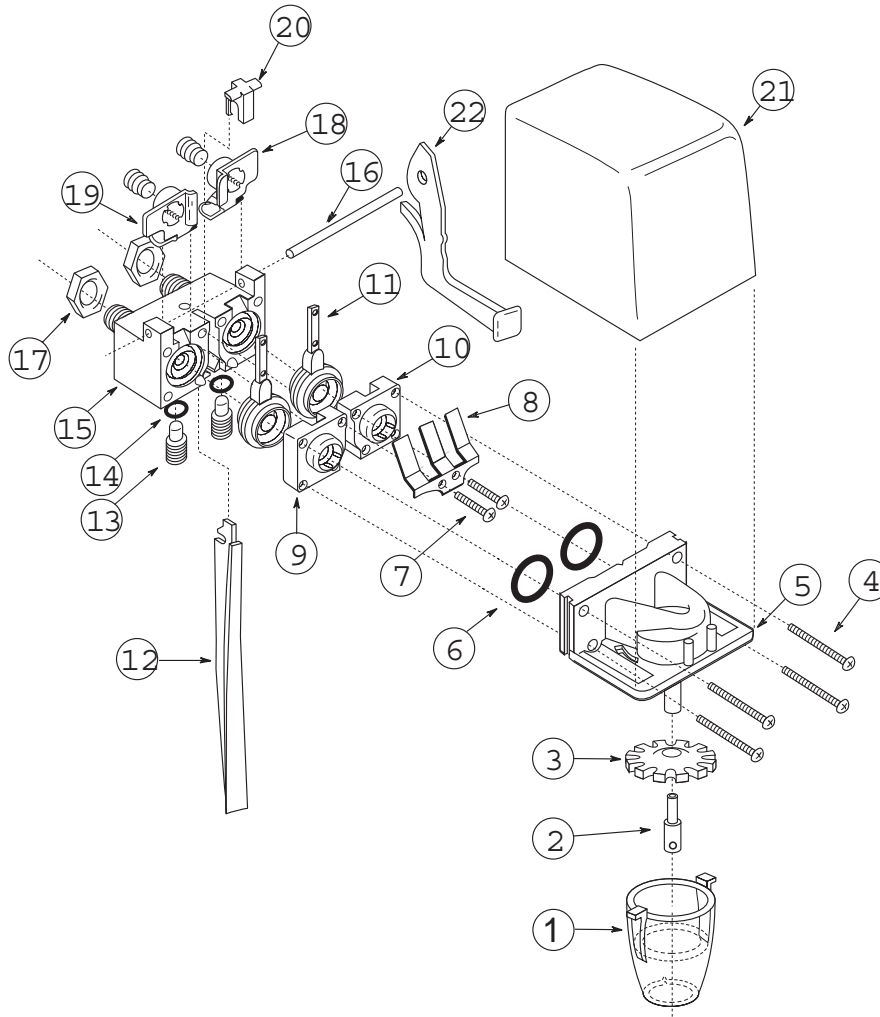




# Flomatic 202 Post-mix Valve



No.	Part No.	Description	No.	Part No.	Description	No.	Part No.	Description
1	501-14	Nozzle clear	9	512-01	Orifice cap - left	17	525	Pal nut
2	502-02	Syrup diffuser	10	513-01	Orifice cap - right	18	521-01	Actuator - right
3	504-00	Diffuser element	11	515	Pallet	19	522-01	Actuator - left
4	505	Screw 4-40x1 SS	12	516-07	Lever, black	-	523	Actuator screw
5	507-10	Diffuser block	13	518-00	Screw - Brix adj	20	517-00	Manual retainer cap
6	509	O-ring (112)	14	519	O-ring	21	1101	Cover
7	510	Screw 4-40x5/8 SS	15	520-01	Flow control base	22	1026	Add-a-Lever
8	511	Spring pallet retainer	16	524	Pivot pin			