

**CED 1500**

# LANCER®



## Counter Electric Dispenser

The CED 1500 is designed using the highest quality materials and proven technology providing our customers with consistent drink quality.

### 1500 Counter Electric Dispenser

- > Stainless steel cabinet, water bath, product lines, and splash plate; removable refrigeration deck
- > Available with 5 or 6 post-mix dispensing valves
- > All valves can be serviced independently
- > Insulation is CFC-free, 0 GWP, structural foam
- > All installation from front of unit
- > CFC-free, R134A refrigerant
- > Optional lighted front marquee kit and leg kit
- > 1/3 hp compressor, 30 lb ice bank, high capacity flooded manifold
- > Flex manifold configuration for multiple non-carbonated drinks
- > **Dispensing Solutions that *Pour More***



**LANCER®**

lancercorp.com

# CED 1500

## SPECIFICATIONS

### DIMENSIONS

Height: 25.375" [645 mm]  
Width: 19.187" [487 mm]  
Depth: 24" [610 mm]

### ELECTRICAL

115V/60Hz, 7.8 AMPs  
230V/50Hz, 4.5 AMPs

### WEIGHT

Empty: 130 lbs [59 kg]  
Operating: 230 lbs [104 kg]  
Shipping: 150 lbs [68 kg]

### ICE

Capacity: 30 lbs [13.6 kg]

### FITTINGS

Soda Inlets: 3/8" male barb  
Syrup Inlets: 3/8" male barb

### VALVES

LEV® and other valves available upon request

### FLEX MANIFOLD CONFIGURATION

5 valve 2-2-1  
6 valve 3-2-1

### KEY LOCK SWITCH

### COMPRESSOR

1/3 hp

### MOTORS

Agitator: 25 w  
Condenser Fan: 9 w

### ICE BANK CONTROL

Lancer Electronic Ice Bank Control

### TRANSFORMER

24 V Secondary

### WATER

Capacity: 12 gal

### DRAW PERFORMANCE

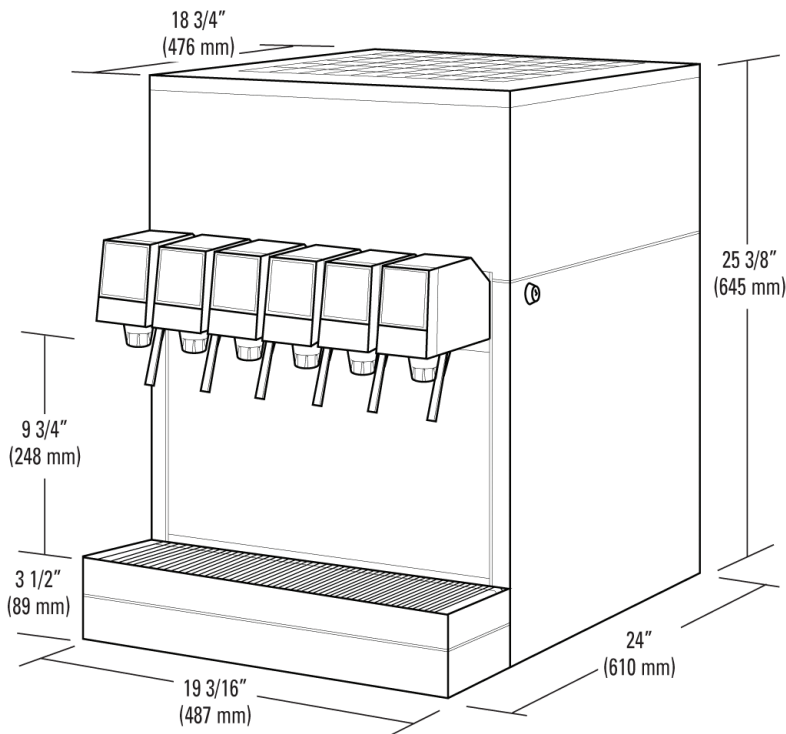
Number of Drinks Below 40°F

#### 75°F [24°C] Ambient Temperature

395 drinks; 12oz / 2 drinks per minute

#### 90°F [32°C] Ambient Temperature

200 drinks; 12oz / 2 drinks per minute



## OPTIONS

Leg Kit

### Customer Service:

Should you require more information about our products, please do not hesitate to contact our customer service desk at [custserv@lancercorp.com](mailto:custserv@lancercorp.com).

### Warranty:

For warranty specifics by product, contact your Lancer Sales Representative. Equipment design and/or specifications are subject to change without notice.

Lancer Corp. 6655 Lancer Boulevard · San Antonio, TX 78219

210-310-7000 · 1-800-729-1500 · Fax: 210-310-7250

*Pour More*

**LANCER**

[lancercorp.com](http://lancercorp.com)

