

CED 500



Counter Electric Dispenser

The CED 500 is designed using the highest quality materials and proven technology providing our customers with consistent drink quality.

CED 500 Counter Electric Dispenser

- > Stainless steel exterior, water bath, product lines, and drip tray assembly
- > Occupies a small area of counter space, only 10 ³/₈" wide
Compare with conventional dispenser
- > Available with 4 post-mix dispensing valves
- > All valves can be serviced independently
- > Insulation is CFC-free, 0 GWP, structural foam
- > Removable refrigeration deck, all installation from front of unit
- > CFC-free, R134A refrigerant
- > 1/4 hp compressor, 17 lb ice bank, high capacity flooded manifold
- > **Dispensing Solutions that *Pour More***



LANCER

lancercorp.com

CED 500

SPECIFICATIONS

DIMENSIONS

Height: 27.5" (699 mm)
Width: 10.375" (264 mm)
Depth: 25.25" (641 mm)

SPACE REQUIRED

Height: 33.5" (851 mm)
Width: 12.38" (315 mm)
Depth: 31.25" (794 mm)

ELECTRICAL

115V/60Hz, 7 AMPs
230V/50Hz, 3.3 AMPs

WEIGHT

Empty: 89 lbs (40.4 kg)
Operating: 131 lbs (59 kg)
Shipping: 108 lbs (49 kg)

ICE

Capacity: 17 lbs (7.7 kg)

FITTINGS

Soda Inlets: 3/8" male barb
Syrup Inlets: 3/8" male barb

VALVES

LEV® and other valves available upon request

COMPRESSOR

1/4 hp

MOTORS

Agitator: 15 w
Condenser fan: 9 w

ICE BANK CONTROL

Lancer Electronic Ice Bank Control

TRANSFORMER

24 V Secondary

WATER

Capacity: 5 gal (19 L)

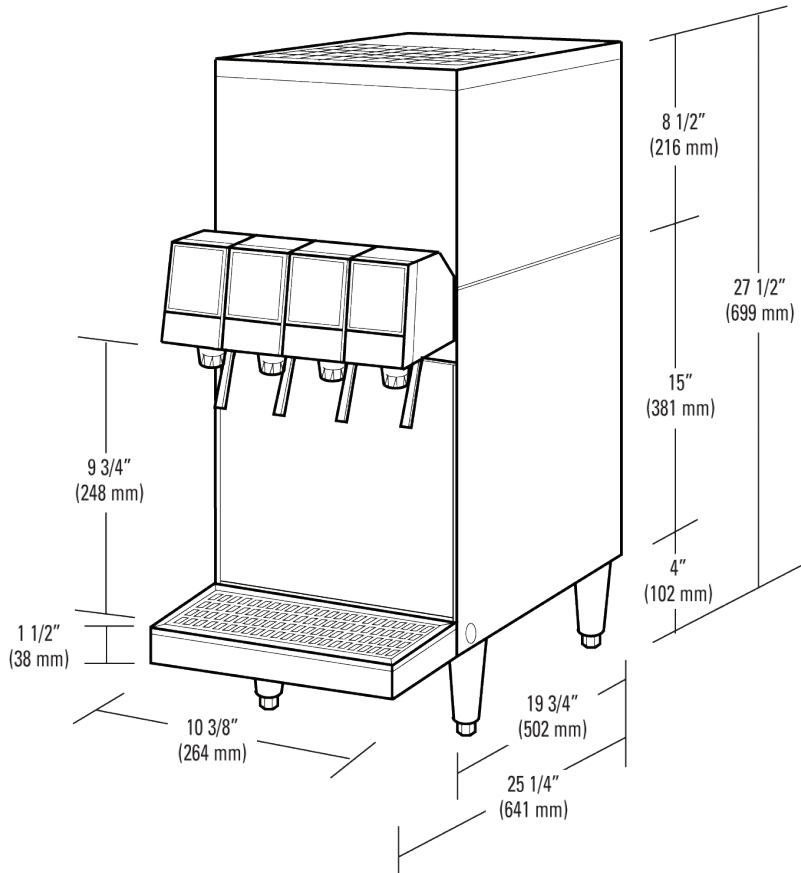
KEY LOCK SWITCH

DRAW PERFORMANCE

Number of Drinks Below 40°F (4.5°C)

75°F (24°C) Ambient Temperature

161 drinks; 12 oz/2 drinks per minute



OPTIONS



LIGHTED MARQUEE

Customer Service:

Should you require more information about our products, please do not hesitate to contact our customer service desk at custserv@lancercorp.com.

Warranty:

For warranty specifics by product, contact your Lancer Sales Representative. Equipment design and/or specifications are subject to change without notice.

Lancer Corp. 6655 Lancer Boulevard · San Antonio, TX 78219

210-310-7000 · 1-800-729-1500 · Fax: 210-310-7250

Pour More

LANCER®

lancercorp.com



Model
500