

ICD 2300



6 valves

Ice Cooled Drop In Dispenser

The ICD 2300 is designed using the highest quality materials and proven technology providing our customers with consistent drink quality.

2300 Ice Cooled Drop In Dispenser

- > Available with six or eight valves
- > Stainless steel construction with sealed-in cold plate
- > 3/4" drain with strainer to prevent ice blockage
- > Stainless steel flooded soda manifold and multiple plain water configuration
- > Ice bin insulated with HFC free structural foam
- > Tower designed with removable splash plate and drip tray for easy cleaning
- > Dispenser can accommodate any number of non-carbonated drinks
- > Sliding bin lid with electric valve lock out
- > Optional top merchandiser and back marquee feature lighted graphics for maximum impact
- > Optional splash guards
- > **Dispensing Solutions that *Pour More***

8 valves



LANCER

lancercorp.com

ICD 2300

SPECIFICATIONS

DIMENSIONS

Height: 36.25" (921 mm)
Width: 23" (584 mm)
Depth: 23" (584 mm)

COUNTER CUT-OUT

Width: 23.25" (591 mm)
Depth: 23.25" (591 mm)

ELECTRICAL

115V/60Hz

WEIGHT

Operating: 206 lbs (93 kg)
Shipping: 260 lbs (118 kg)

ICE

Capacity: 100 lbs (45 kg)

FITTINGS

Soda Inlets: 3/8" male barb
Syrup Inlets: 3/8" male barb

VALVES

LEV® and other valves available upon request

FLEX MANIFOLD CONFIGURATION

6-valve 3-1-2, 5-1
8-valve 3-1-1-3

KEY LOCK SWITCH

DRAW PERFORMANCE

Number of Drinks Below 40°F

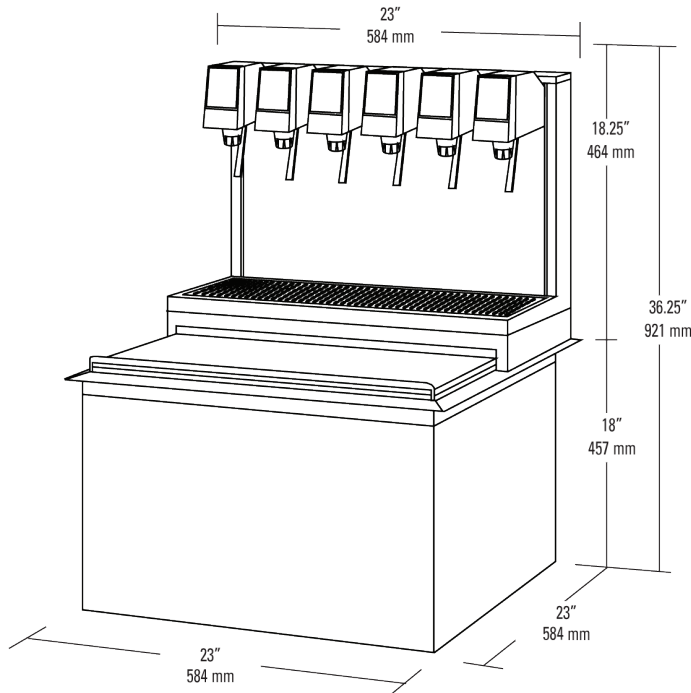
75°F (24°C) Ambient Temperature

12 oz/10 drinks per minute
24 oz/7 drinks per minute

90°F (32°C) Ambient Temperature

12 oz/8 drinks per minute
24 oz/5 drinks per minute

(Units can supply drinks under 40°F at rated draw performance continuously as long as ice is kept on cold plate.)



OPTIONS



Marquee



Merchandiser



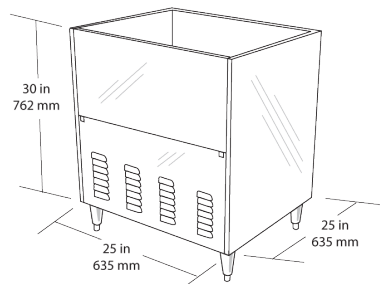
Splash Guards



Power Supply

CONVERSION STAND – 23" X 23"

- > All stainless steel construction
- > Front access panel
- > 6" (152 mm) adjustable legs
- > Allows quick and easy conversion from drop in to free standing unit
- > Shipping Weight: 80 lbs (36.28 kg)



Customer Service:

Should you require more information about our products, please do not hesitate to contact our customer service desk at custserv@lancercorp.com.

Warranty:

For warranty specifics by product, contact your Lancer Sales Representative. Equipment design and/or specifications are subject to change without notice.

Lancer Corp. 6655 Lancer Boulevard · San Antonio, TX 78219
210-310-7000 · 1-800-729-1500 · Fax: 210-310-7250

Pour More

LANCER

lancercorp.com



Model
2300