

20-Gallon Water Booster



Standard Features

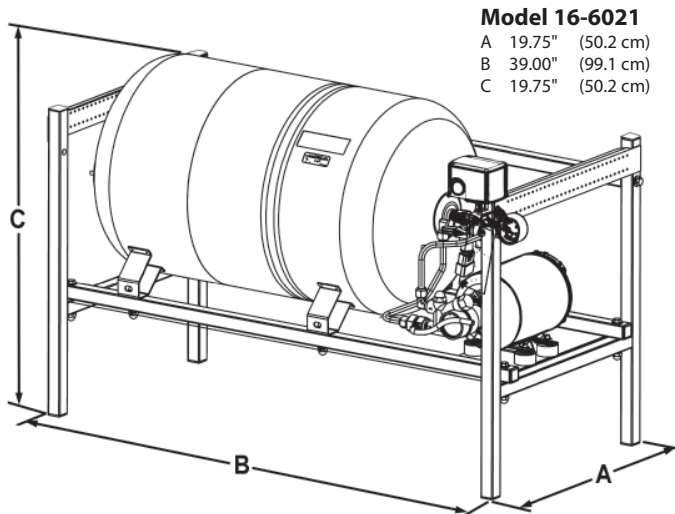
- Controls pressure fluctuations from incoming water systems and provides consistent flow of water to beverage dispensing equipment.
- Designed to support high water-consuming locations operating multiple beverage dispensers simultaneously.
- Large Amtrol 20-gallon RO tank provides reliable water storage to the booster system. The tank is made of painted steel with a fully enclosed polypropylene liner and butyl rubber diaphragm that completely evacuates water from the tank when incoming water supply is shut off. The tank is burst-tested to 900 psi.
- Durable brass rotary-vane pump.
- Booster frame acts as a base for 38" McCann's BIB racks.
- Manifold assembly includes pressure gauge and Anderson Brass ASSE 1022-specified backflow prevention device and bypass valve.
- Schrader connection for easy tank pressure check.
- Vibration dampening motor assembly effectively controls noise during operation.
- Certified by NSF and UL. Lead content certified for compliance with California AB-1953 & Vermont Act 193.



Specifications

	20-Gallon Model
Flow Rate	100 gph (378 lph) maximum
Inlet/Outlet Pressure	Minimum inlet pressure 20 PSI (1.4 bar) Outlet pressure factory set at 80 PSI (5.5 bar) on and 100 PSI (6.9 bar) off
Tank Capacity	20 gallon (75.7 liter)
Water Available at 80-100 PSI	1.8 gallons (6.8 liter) at 40 psi tank pressure
Total Water Reserve	8.9 gallons (33.7 liter) at 40 psi tank pressure
Manifold	Brass bypass manifold with pressure gauge and Anderson Brass ASSE 1022-specified backflow prevention device
Electrical	115V / 60hz / 1 ph
Pump	100 gph (378 lph) brass rotary-vane pump
Motor	115V models: 1/3 HP, 7.0 amps
Pressure Relief	180 psig relief setting
Inlet/Outlet	3/8" male flare inlet and 1/2" male flare outlet
Approximate Unit Weight	74 lbs (33.6 kg)
Approximate Shipping Weight	109 lbs (49.5 kg)
Carton Dimensions	39" x 19.75" x 19.75" (99.1 cm x 50.2 cm x 50.2 cm)

Model Number	Description
16-6021	Water Booster, 115V 60hz, 20-Gallon Amtrol RO Tank



4945A ©2012 McCann's 1172 Continuing product improvement may necessitate change of specifications without notice.